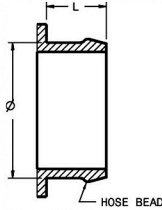


**Compressor Inlet**

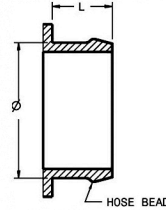
HOSE CONNECTIONS  
TABULATED AS (Ø x L)



Ø 54 x 25

**Compressor Outlet**

HOSE CONNECTIONS  
TABULATED AS (Ø x L)



Ø 50 x 25

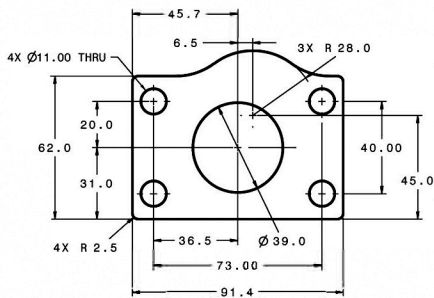
**Oil Inlet**

Available with  
M10 x 1.0 (F)

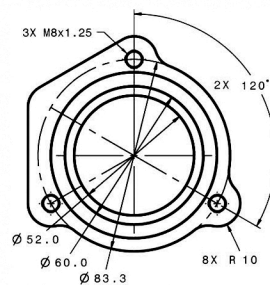
or

M10 x 1.0 (M)

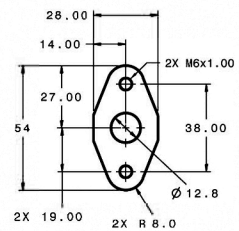
**Turbine Inlet**



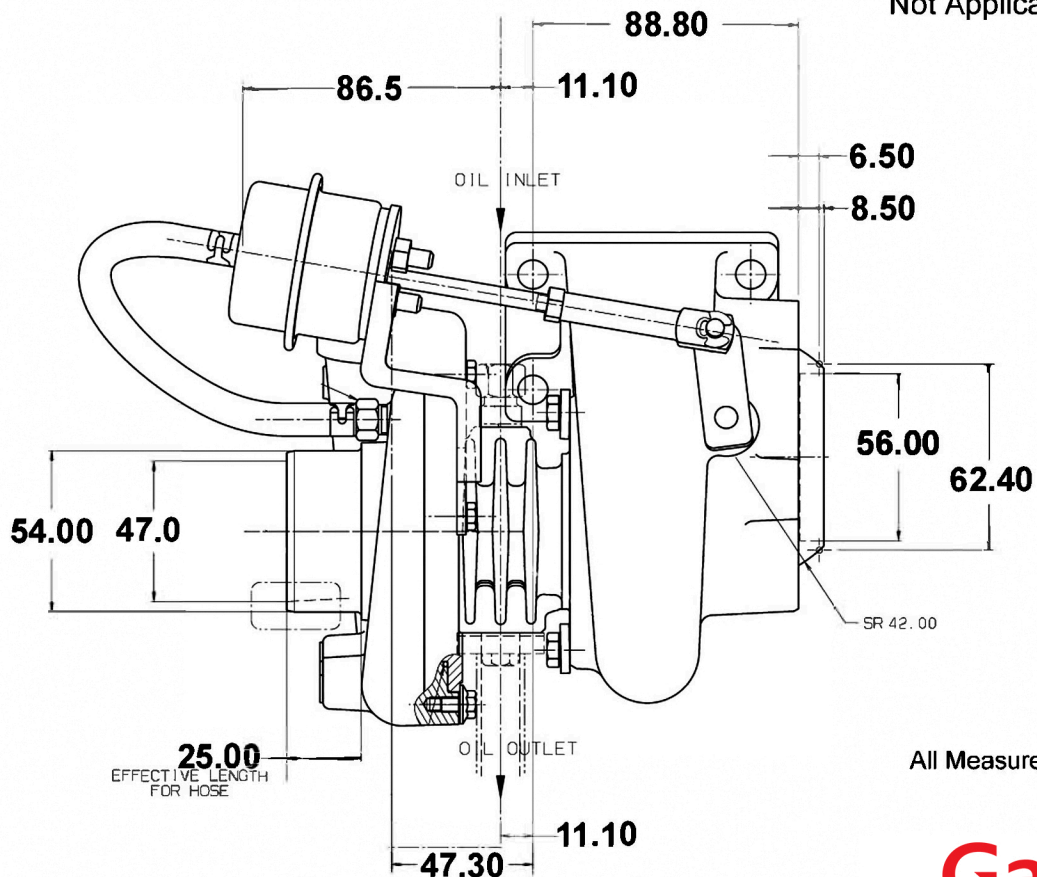
**Turbine Outlet**



**Oil Outlet**



**Water**  
Not Applicable



All Measurements in MM