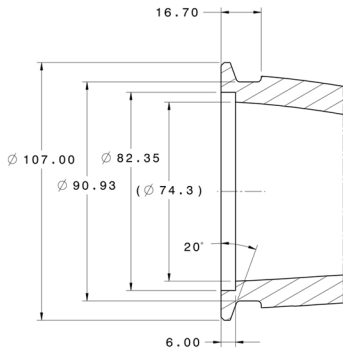
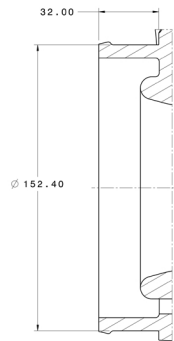


## FLANGE DIAGRAM

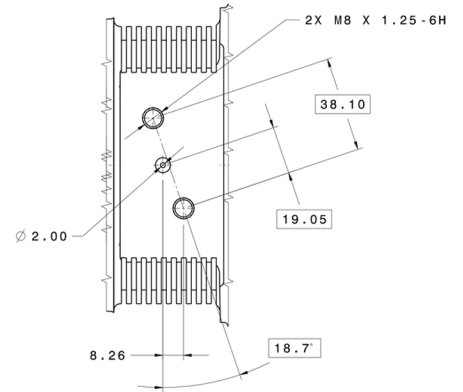
G57-1950 G57-2250 G57-2425 G57-2750 G57-3000  
880547-0006S - 880547-0010S



COMPRESSOR OUTLET

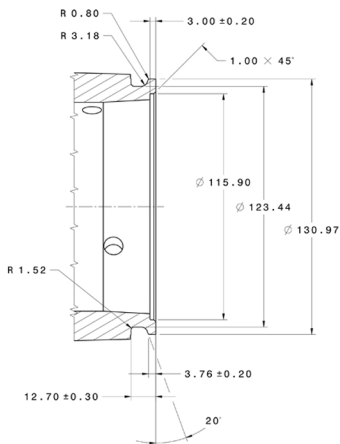


COMPRESSOR INLET

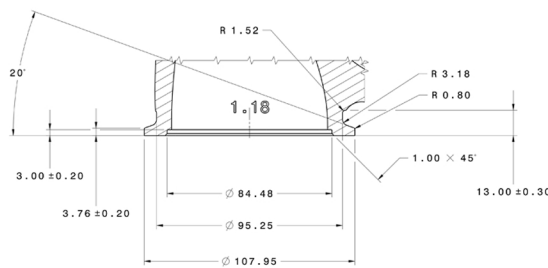


OIL INLET

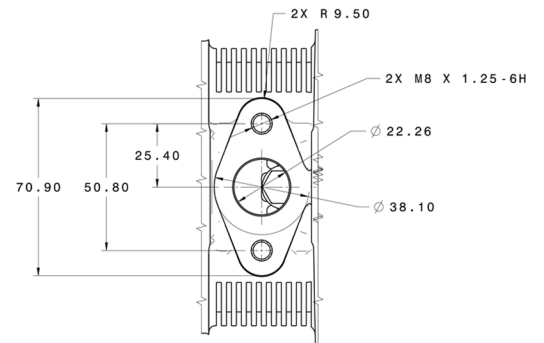
### OIL INLET AND OUTLET BOLT TORQUE SPEC 16-19NM (141-168INLBS)



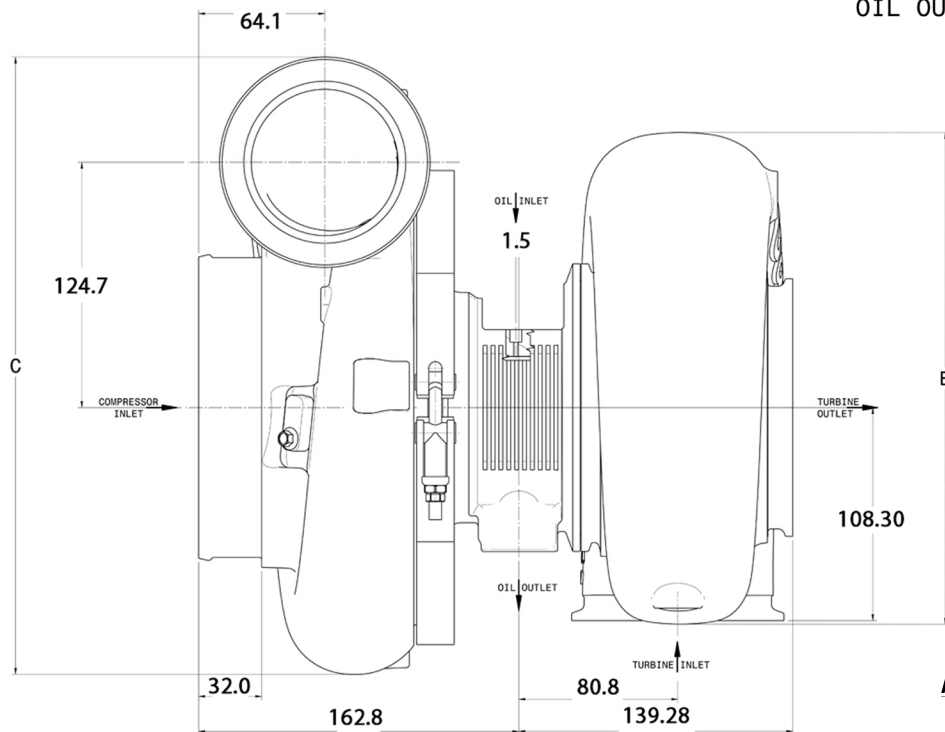
TURBINE OUTLET  
FOR SFI V-BAND THS



TURBINE INLET  
FOR SFI V-BAND THS



OIL OUTLET



MEASUREMENTS IN MM