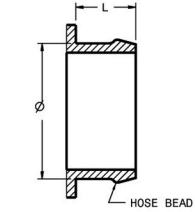


**Compressor Inlet**

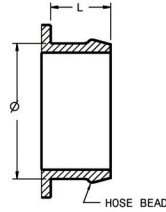
HOSE CONNECTIONS  
TABULATED AS (Ø x L)



Ø 60 x 25

**Compressor Outlet**

HOSE CONNECTIONS  
TABULATED AS (Ø x L)



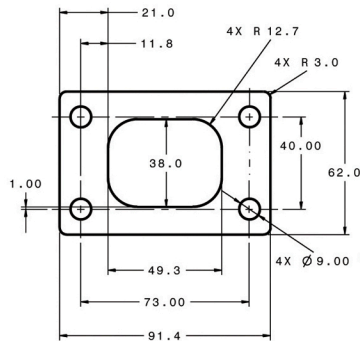
Ø 50 x 25

**Oil Inlet**

Available with  
M10 x 1.0 (F)  
or  
M10 x 1.0 (M)

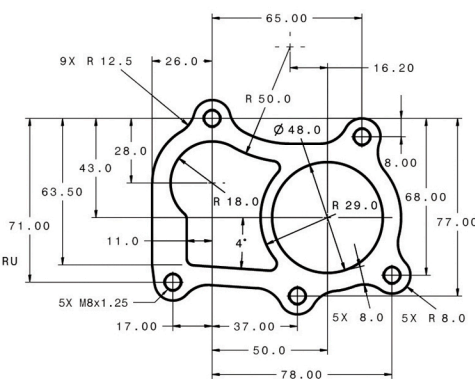
**Turbine Inlet**

"T25"

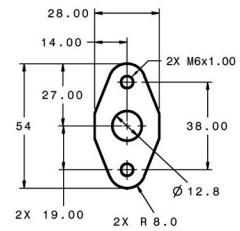


**Turbine Outlet**

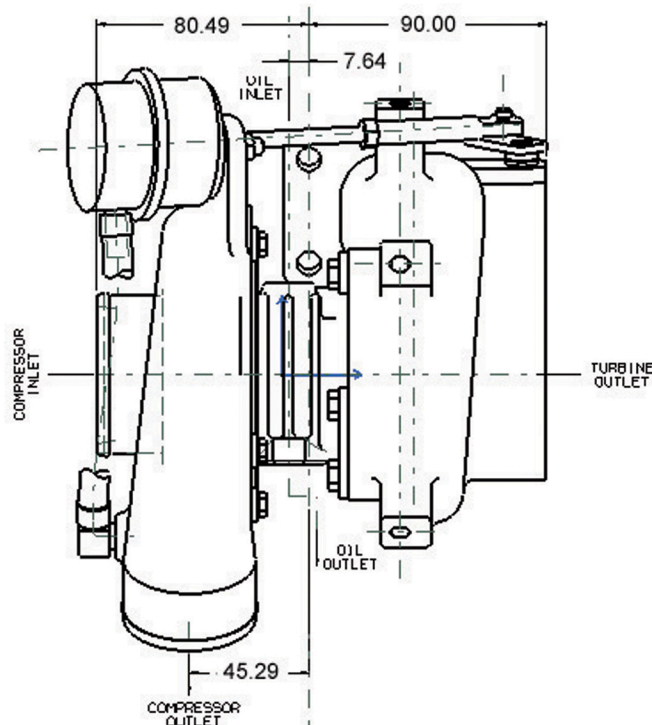
"5 BOLT"



**Oil Outlet**



Water  
Not Applicable



All Measurements in MM