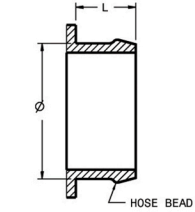


Compressor Inlet

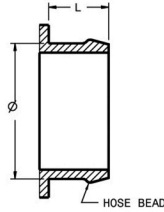
HOSE CONNECTIONS
TABULATED AS (Ø x L)



Ø 60 x 25

Compressor Outlet

HOSE CONNECTIONS
TABULATED AS (Ø x L)



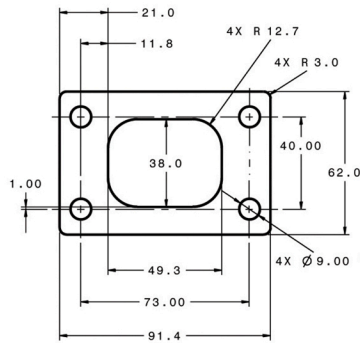
Ø 50 x 25

Oil Inlet

Available with
M10 x 1.0 (F)
or
M10 x 1.0 (M)

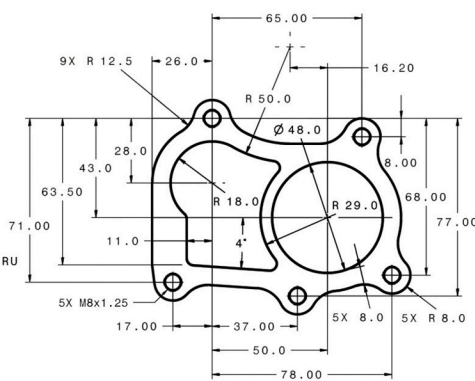
Turbine Inlet

"T25"

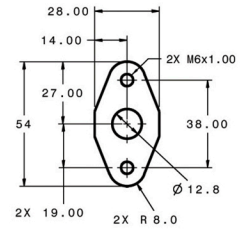


Turbine Outlet

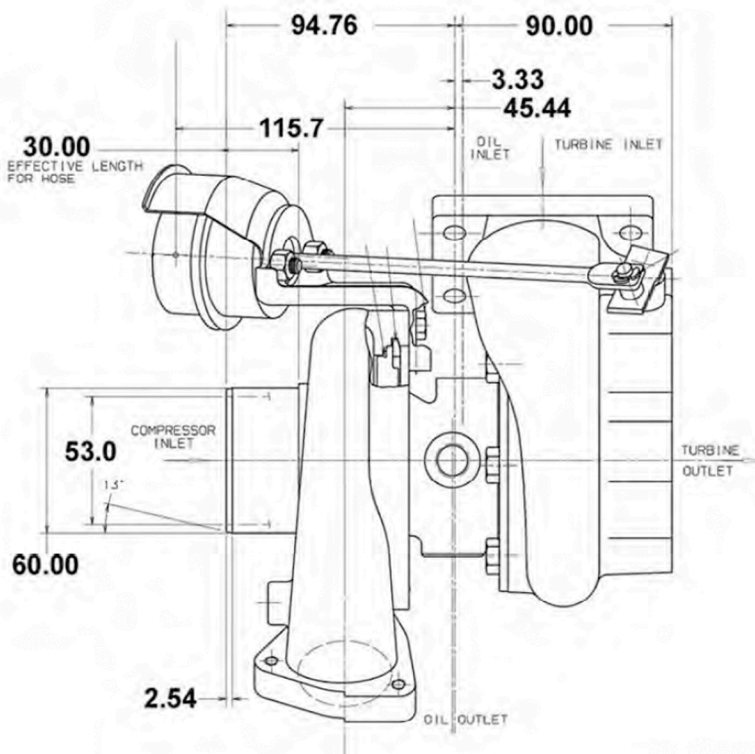
"5 BOLT"



Oil Outlet



Water
Not Applicable



All Measurements in MM