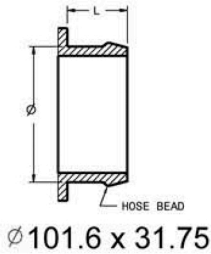


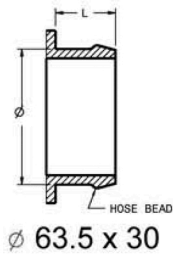
**33 Compressor Inlet**

HOSE CONNECTIONS  
TABULATED AS (Ø x L)

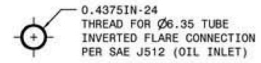


**24 Compressor Outlet**

HOSE CONNECTIONS  
TABULATED AS (Ø x L)

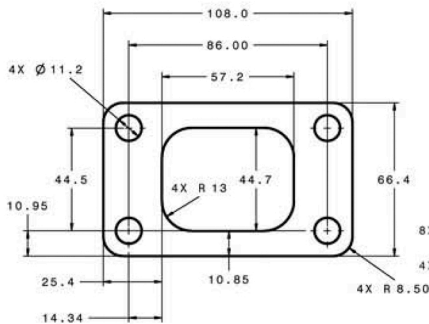


**11 Oil Inlet**



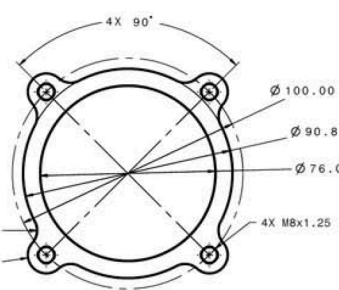
**04 Turbine Inlet**

"T3" PN740902-4, 5, 6, 10, 11, 12

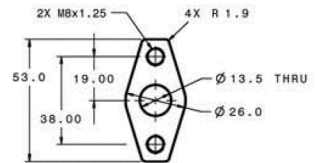


**07 Turbine Outlet**

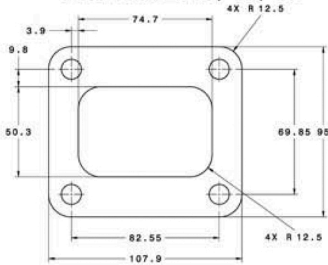
"3-INCH 4 BOLT" PN740902-4, 5, 6



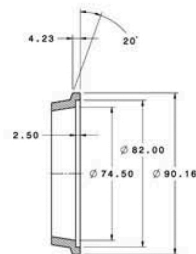
**18 Oil Outlet**



**"T4 UNDIVIDED" PN740902-16, 17, 18**

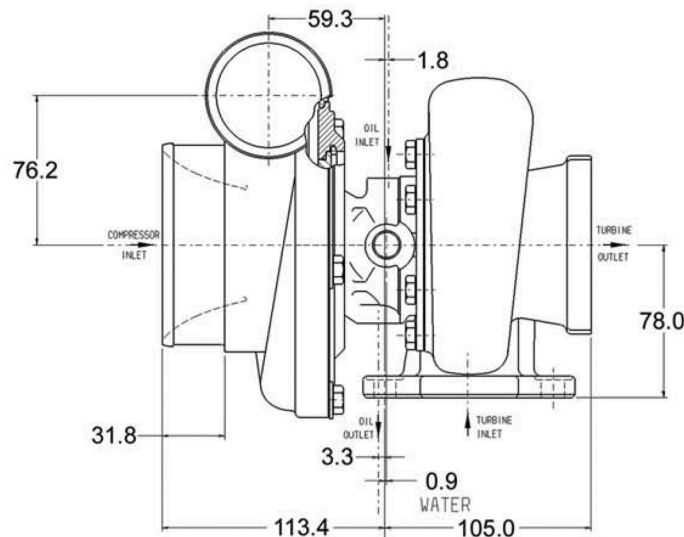


**PN740902-10, 11, 12, 13, 14, 15, 16**



**13 Water**

M14 x 1.50



All Measurements in MM