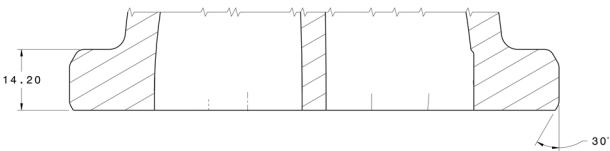
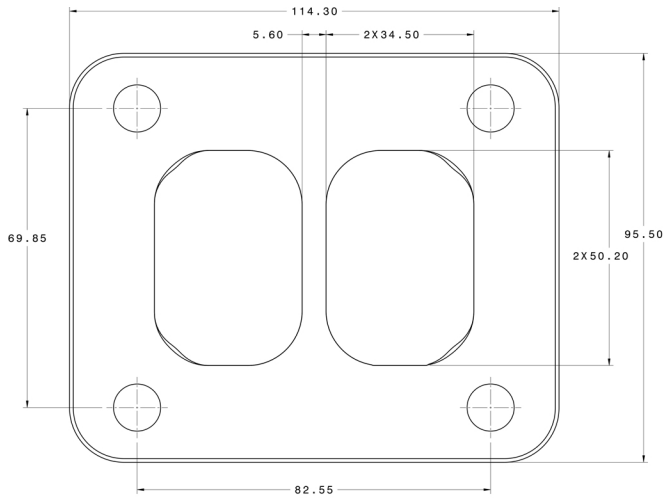


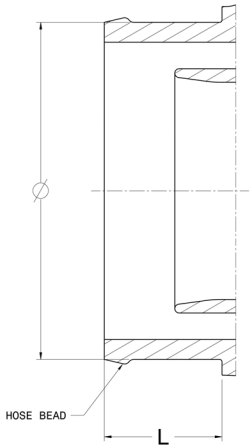
FLANGE DIAGRAM

G30-660 G30-770 G30-900

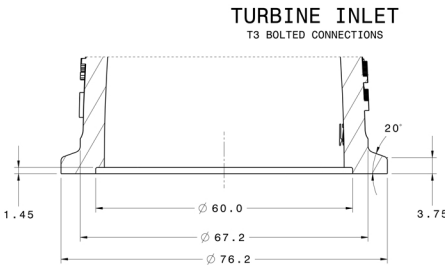
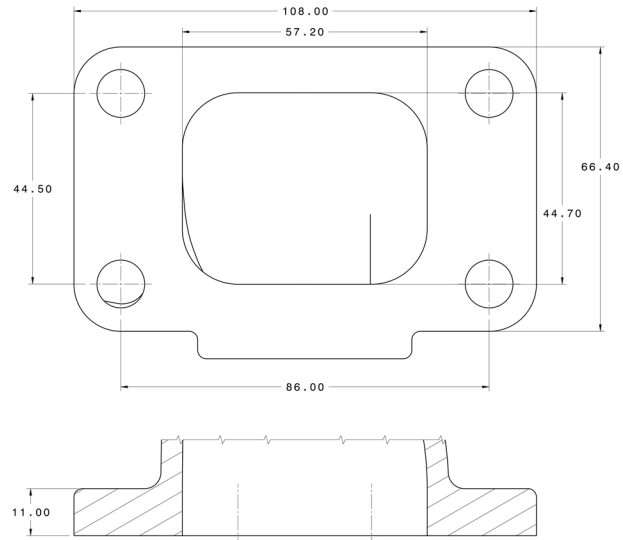
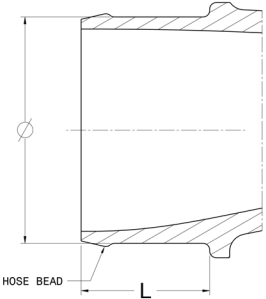


TURBINE INLET
T4 BOLTED CONNECTIONS

COMPRESSOR INLET
HOSE CONNECTIONS
G3067 $\varnothing 76.2$ X 26.60
G3071/G3076 $\varnothing 100.00$ X 25.40



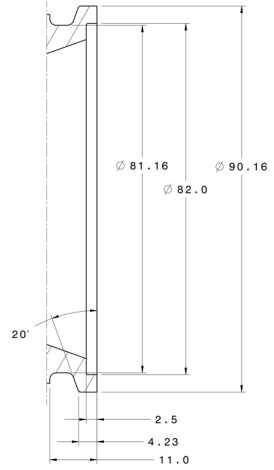
COMPRESSOR OUTLET
HOSE CONNECTIONS
G3067 $\varnothing 51.15$ X 29.05
G3071/G3076 $\varnothing 50.80$ X 29.00



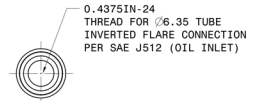
TURBINE INLET
T3 BOLTED CONNECTIONS

TURBINE INLET
V-BAND CONNECTIONS

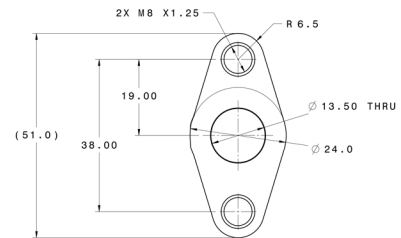
TURBINE OUTLET
V-BAND CONNECTIONS



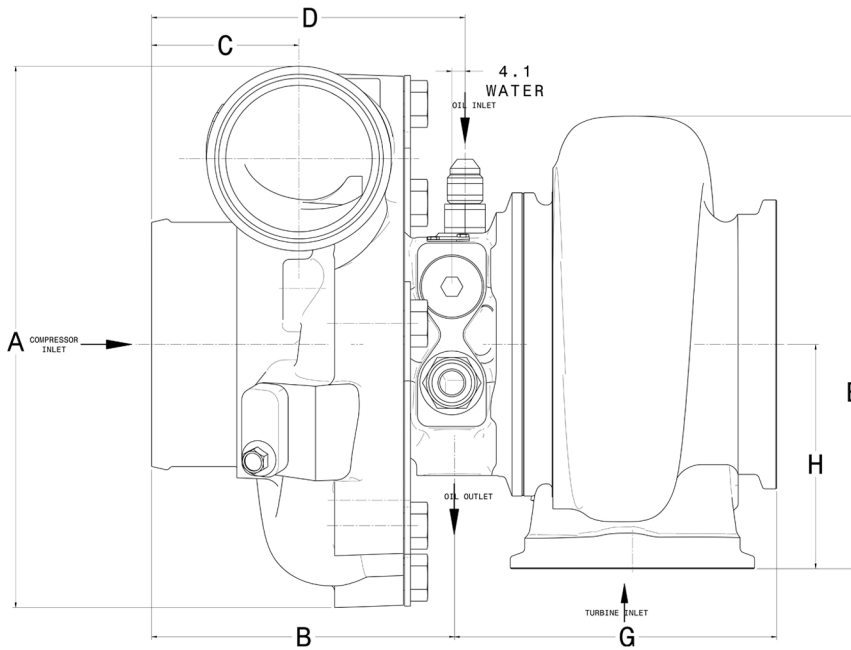
OIL INLET
-4AN FITTING CONNECTION



OIL OUTLET



WATER
M14 X 1.50
-6AN FITTING CONNECTION



COMPRESSOR		TURBINE											
	G30-660	G30-770 G30-900	A/R (INLET)	0.61 (VBAND)	0.83 (VBAND)	1.01 (VBAND)	1.21 (VBAND)	0.83 (T3)	1.01 (T3)	1.06 (T4)	1.01 (T4) WG	0.83 (VBAND) WG	1.01 (VBAND) WG
A	169.0	189.8	E	146.1	151.6	156.3	159.6	159.6	164.5	183.3	175.9	151.8	156.2
B	94.5	93.3	G	100.5	100.5	100.5	100.5	113.6	113.6	103.1	147.9	136.3	136.3
C	46.0	44.7	H	70.0	70.0	70.0	70.0	80.0	80.0	88.5	82.0	70	70.0
D	97.8	96.5											