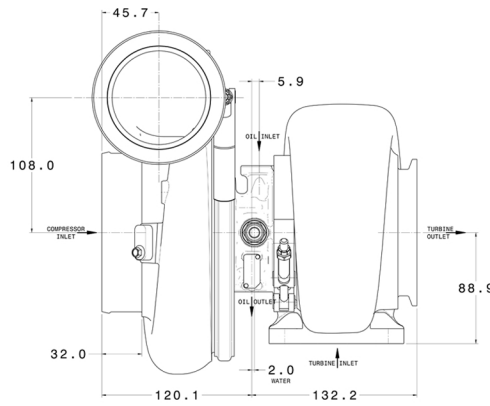
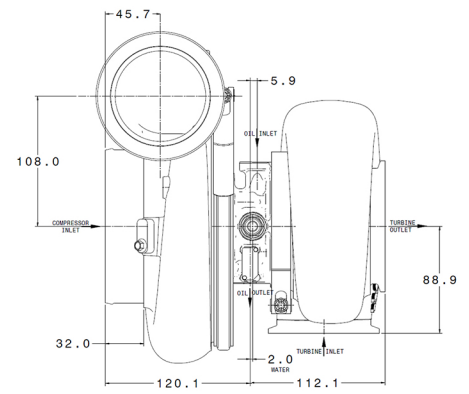


G42-1200 Compact / V-Band THS



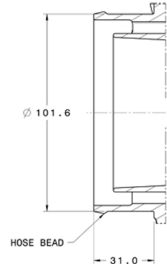
G42-1200 | G42-1450 / T4 THS



G42-1200 | G42-1450 / V-Band THS

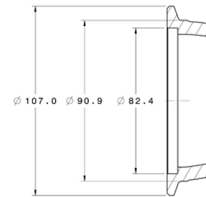


COMPRESSOR OUTLET  
G42-1200 Compact

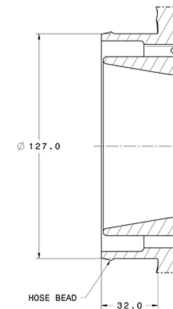


COMPRESSOR INLET  
G42-1200 Compact

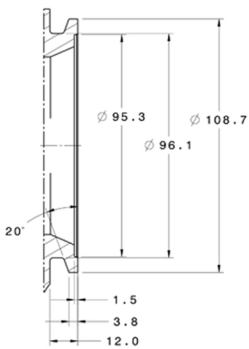
G42-1200 | G42-1450



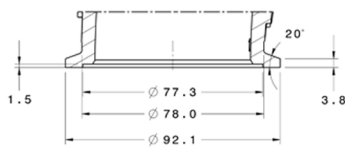
COMPRESSOR OUTLET



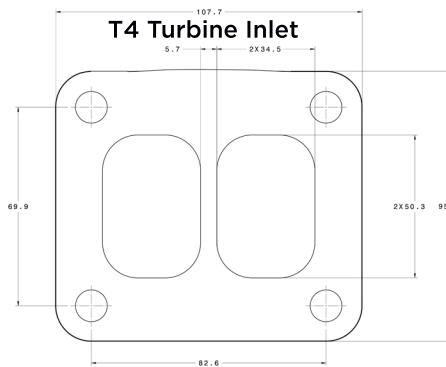
COMPRESSOR INLET



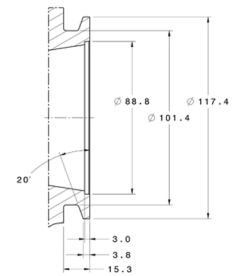
Vband Turbine Outlet



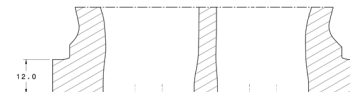
Vband Turbine Inlet



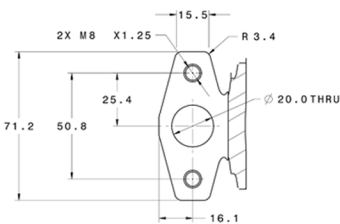
T4 Turbine Inlet



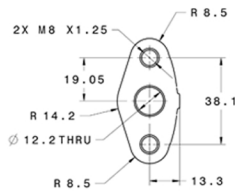
T4 Turbine Outlet



T4 Turbine Inlet



OIL OUTLET



OIL INLET



WATER  
M14 X 1.50  
-6AN FITTING CONNECTION

MEASUREMENTS IN MM